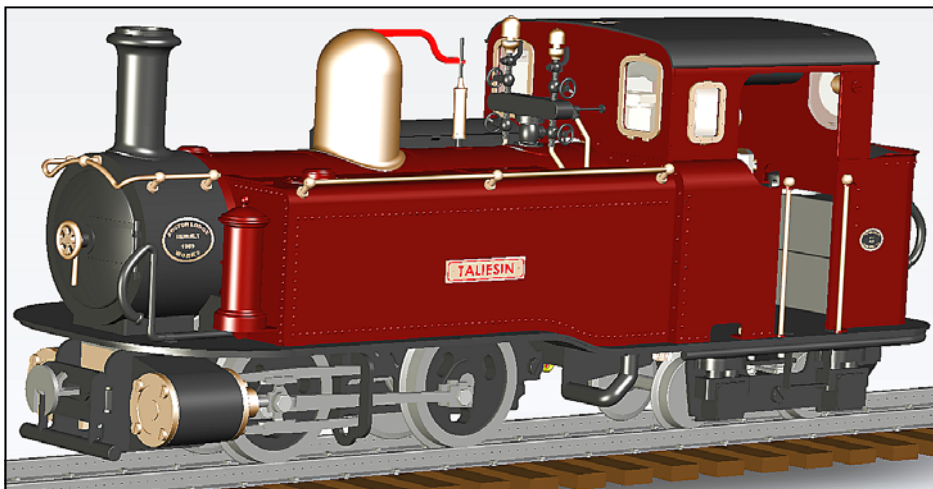




Taliesin

'Classic Series'



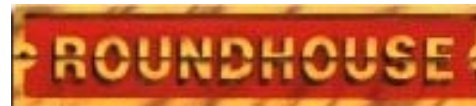
Taliesin is a single Fairlie running on the Ffestiniog Railway in North Wales. Although the original locomotive was built in 1876 by the Vulcan Foundry, our model is based on the re-build/new-build, constructed at Boston Lodge, that entered service in 1999. The FR Fairlies, both single and double, have always attracted a lot of interest due to their unusual appearance and the fact that they are articulated locomotives. This detailed model captures the look of these distinctive engines and has the usual Roundhouse performance that customers have come to expect. Production will commence in August 2008 and orders are now being taken.

Technical specifications

- * 0-4-4 single Fairlie with two double acting slide valve cylinders operated by Roundhouse inside valve gear.
- * Internally gas fired using our 'FG' type system.
- * Controls fitted as standard are :- steam regulator, safety valve, pressure gauge, displacement lubricator, water gauge, boiler top up valve and gas regulator.
- * Two channel radio control fitted as standard for both speed and direction.
- * Available in all standard Roundhouse colours.
- * Available for 32mm or 45mm gauge (not adjustable).
- * Dimensions are :- length 342mm, width 113mm, height 134mm,

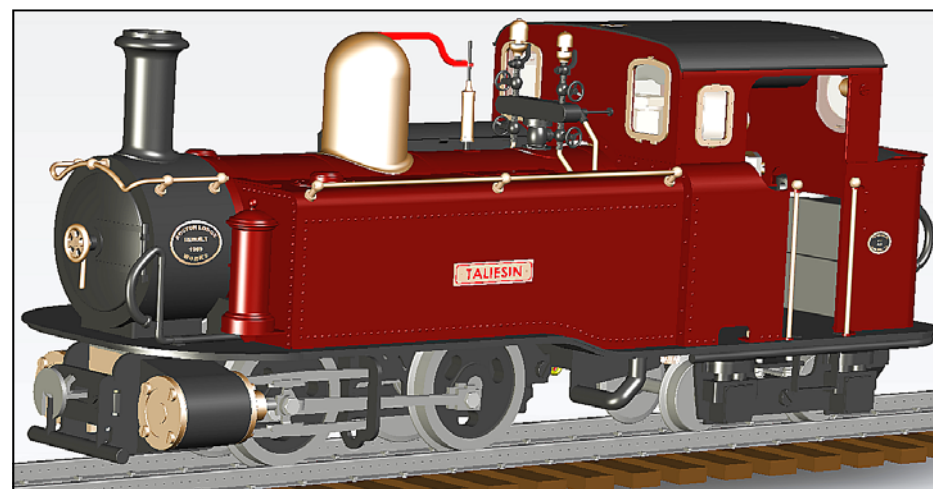
Please note :- Insulated wheels are not available on this model.

Price £1790 incl VAT.



Taliesin

'Classic Series'



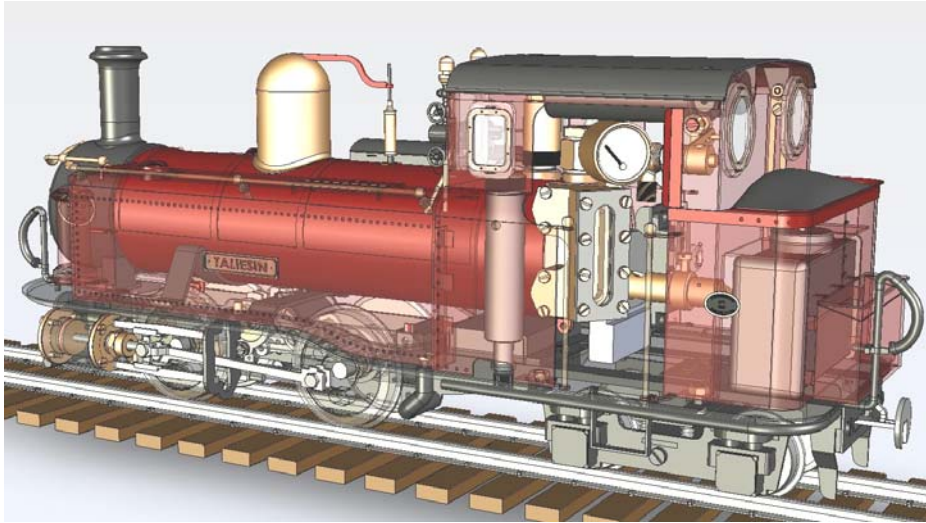
Taliesin is a single Fairlie running on the Ffestiniog Railway in North Wales. Although the original locomotive was built in 1876 by the Vulcan Foundry, our model is based on the re-build/new-build, constructed at Boston Lodge, that entered service in 1999. The FR Fairlies, both single and double, have always attracted a lot of interest due to their unusual appearance and the fact that they are articulated locomotives. This detailed model captures the look of these distinctive engines and has the usual Roundhouse performance that customers have come to expect. Production will commence in August 2008 and orders are now being taken.

Technical specifications

- * 0-4-4 single Fairlie with two double acting slide valve cylinders operated by Roundhouse inside valve gear.
- * Internally gas fired using our 'FG' type system.
- * Controls fitted as standard are :- steam regulator, safety valve, pressure gauge, displacement lubricator, water gauge, boiler top up valve and gas regulator.
- * Two channel radio control fitted as standard for both speed and direction.
- * Available in all standard Roundhouse colours.
- * Available for 32mm or 45mm gauge (not adjustable).
- * Dimensions are :- length 342mm, width 113mm, height 134mm,

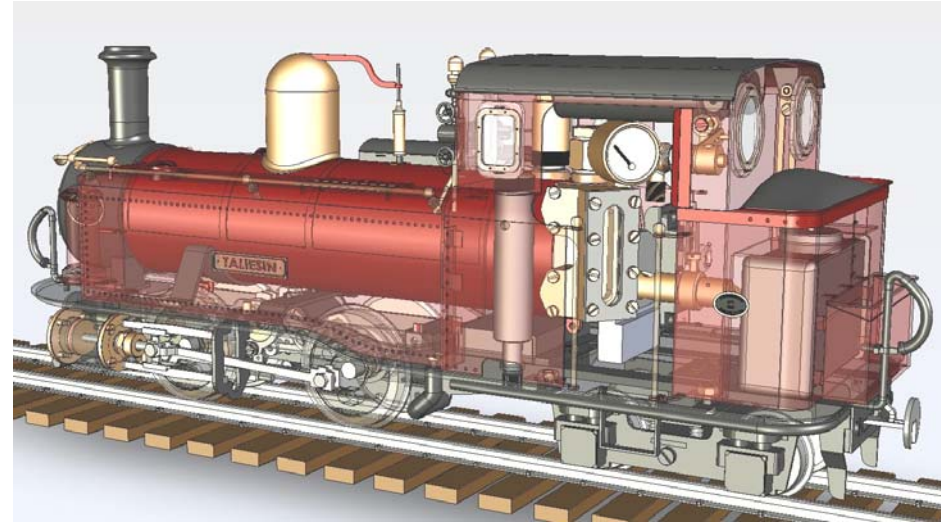
Please note :- Insulated wheels are not available on this model.

Price £1790 incl VAT.



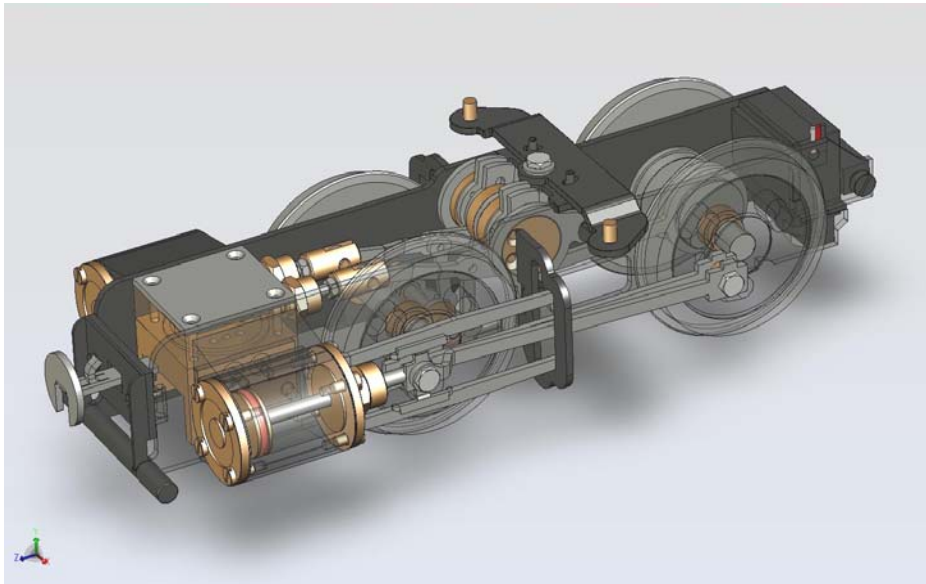
Designed using the latest 3D cad techniques, the model features an all new steam power bogie, incorporating our own inside valve gear as first introduced on the 'Penrhyn Ladies'.

A sprung rear bogie together with the articulated power bogie will give a smooth ride
And plenty of power to haul those heavy trains.

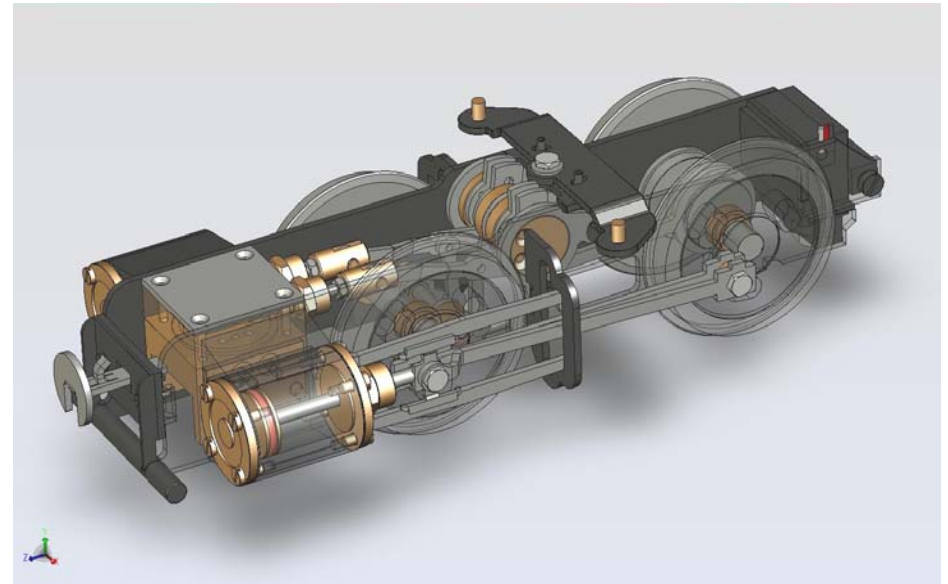


Designed using the latest 3D cad techniques, the model features an all new steam power bogie, incorporating our own inside valve gear as first introduced on the 'Penrhyn Ladies'.

A sprung rear bogie together with the articulated power bogie will give a smooth ride
And plenty of power to haul those heavy trains.



For further details, please contact the factory or visit our web site.
Tel:01302 328035. www.roundhouse-eng.com



For further details, please contact the factory or visit our web site.
Tel:01302 328035. www.roundhouse-eng.com